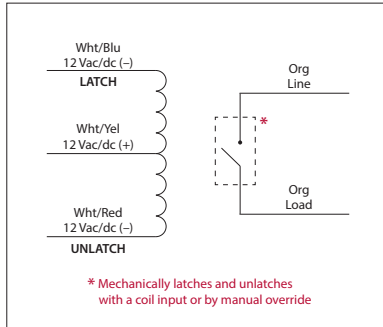


## LATCHING RELAY

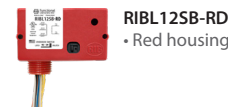
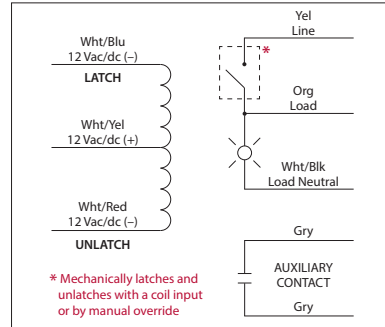
### RIBL12SB

Mechanically Latching Relay, 20 Amp SPST + True Override, 12 Vac/dc Coil, NEMA 1 Housing



### RIBL12SBM

Mechanically Latching Relay, 20 Amp SPST + True Override, 12 Vac/dc Coil, Status LED, Auxiliary Output, NEMA 1 Housing



## SPECIFICATIONS

**# Relays & Contact Type:** One (1) SPST Latching Relay, Dual Coil

**Expected Relay Life:** 1 million cycles minimum mechanical

**Operating Temperature:** -30 to 140° F

**Humidity Range:** 5 to 95% (noncondensing)

**Operate Time:** 50ms

**Maximum Pulse Length:** 30 seconds

**Relay Status / Auxiliary:** (RIBL12SBM)

**Contact Closed:** LED On = Voltage Detected on Load Wire (RIBL12SBM)

**Dimensions:** 1.70"H x 2.80"W x 1.50"D with 0.50" NPT nipple (RIBL12SB)

2.39"H x 3.31"W x 1.81"D with 0.50" NPT nipple (RIBL12SBM)

**Housing Detail:** See **Housing A** (RIBL12SB) or **Housing B** (RIBL12SBM) in housing guide for dimensions

**Origin:** Made of US and non-US parts

**Wires:** 16", 600V Rated

**Approvals:** UL Listed, UL60947, C-UL, CE, RoHS

**Housing Rating:** UL Accepted for Use in Plenum, NEMA 1

**Gold Flash:** No

**Override Switch:** Yes

### Contact Ratings:

20 Amp Resistive @ 120-277 Vac

20 Amp Ballast @ 120-277 Vac

16 Amp Electronic Ballast @ 120-277 Vac

5540 Watt Tungsten @ 277 Vac

720 VA Pilot Duty @ 120-277 Vac

2 HP @ 277 Vac

3 HP @ 240 Vac

1.5 HP @ 120 Vac

### Coil Current:

182 mA @ 10 Vac

250 mA @ 12 Vac

165 mA @ 10 Vdc

198 mA @ 12 Vdc

250 mA @ 15 Vdc

**Latch / Unlatch:**  
Min. 10 Vdc / 11 Vac

**Auxiliary Contact:**

3 Amp @ 30 Vac/dc max. (RIBL12SBM)

### Notes:

- Application of voltage on latch coil (Wht/Blu & Wht/Yel) will close the contact.
- Application of voltage on unlatch coil (Wht/Red & Wht/Yel) will open the contact.
- Voltage should not be applied to the coil for more than 30 seconds.
- Auxiliary contact and status LED activate when 120-277 Vac is applied between Load (Org) wire and Load Neutral (Wht/Blk) wire. (RIBL12SBM)